



### MAIN PARAMETERS

Dimensions	277 x 84 x 300 cm
Safety area	617 x 369 cm
Safety area (m <sup>2</sup> )	18,5 m <sup>2</sup>
Free fall height (HIC)	125 cm
Recommended age group	3-10 years
Recommended number of users	3 person
Complies with Standards	EN 1176-1 EN 1176-3
Platform area	0,4 m <sup>2</sup>
Slide platform height	125 cm

### FUNCTIONS

Tower	1 pc
Slide	1 pc
Ladder	1 pc



SLIDING



HIDING



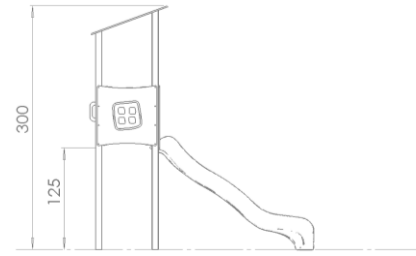
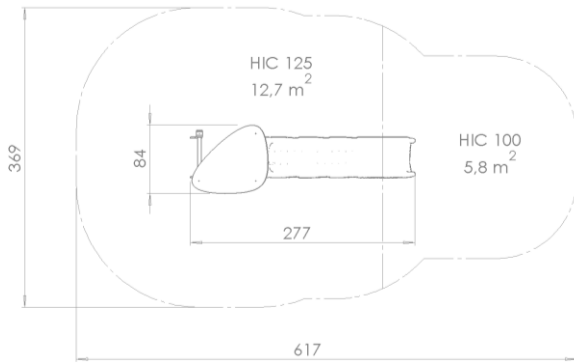
INTERACTION



CLIMBING

TECHNICAL DATA SHEET  
**SLIDE - ECO TOWER 1250**  
 BLFJ017M

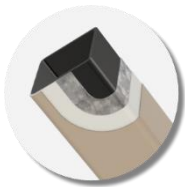
**broa.**



**SAFETY AREA**

HIC 100 cm	5,8 m <sup>2</sup>
HIC 125 cm	12,7 m <sup>2</sup>
<b>HIC in Total</b>	<b>18,5 m<sup>2</sup></b>

**MATERIAL USAGE**



**Construction:** 80 x 80 mm, S235 carbon steel hollow section, covered. Surface treatment: hot dip galvanised, 2 layers of PE powder coating (60-70 µm per layer).



**Bars, ladders:** S235 carbon steel pipe. Surface treatment: hot dip galvanised, 2 layers of PE powder coating (60-70 µm per layer).



**Side panels, rooftops, decorative items:** 15 mm, contour milled, UV resistant HDPE plate.



**Platforms:** 19 mm, UV resistant, anti-slip HDPE plate.



**Slide 'optima':** roto-moulded, double walled HDPE plastic slide.



**Fasteners:** stainless steel.